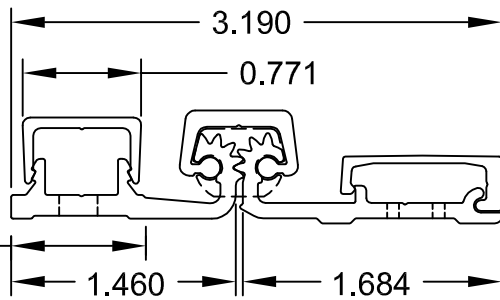
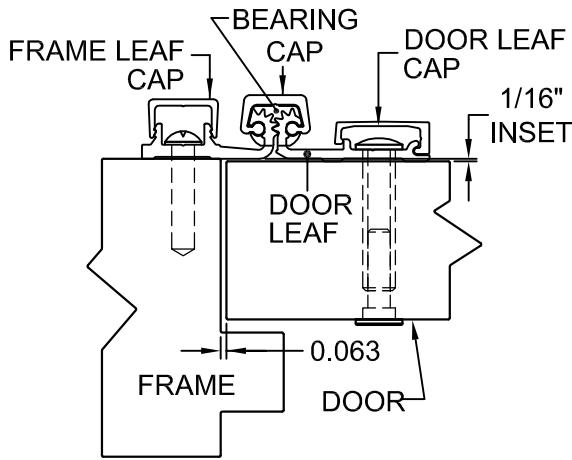
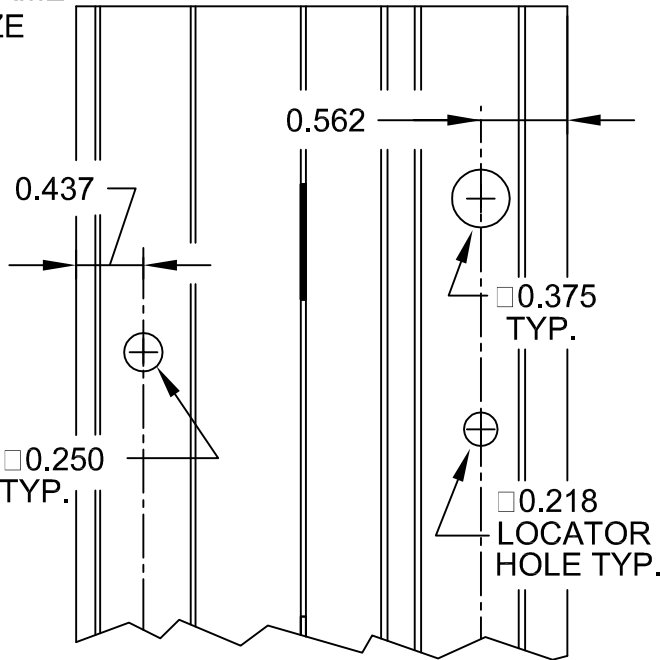


95" LONG

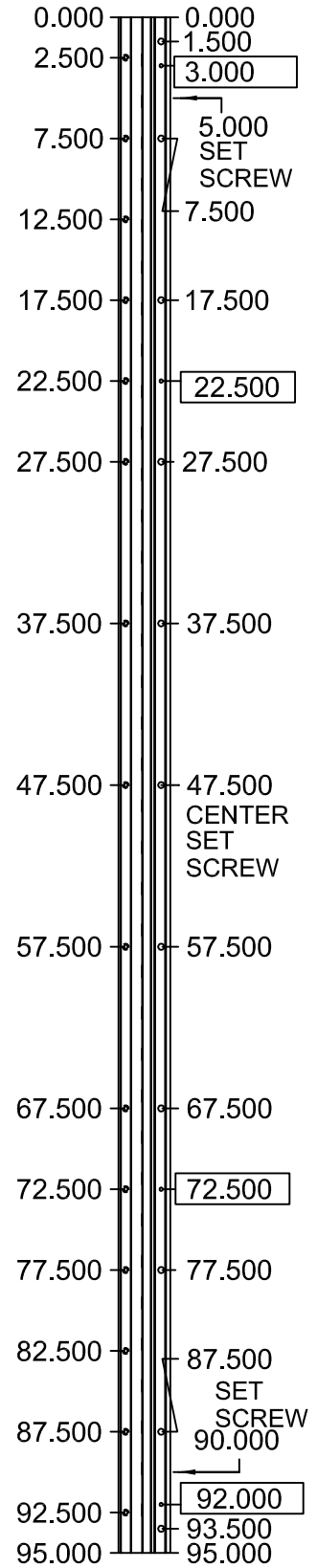


0.875
MIN.
FRAME
SIZE



SCREW DETAIL		
	QTY.	DESCRIPTION
FRAME	15	12-24 X 7/8" PH. PAN HEAD SELF DRILLING THREAD FORMING TEK SCREW
DOOR	11	1/4-20 X 1-9/16L. X 3/8 DIA. SEX-BOLT & 1/4-20 X 1" PH. HEAD SHOULDER SCREW
	4	12-24 X 7/8" PH.PN. HD. SELF DRILLING TEK SCW. (LOCATOR HOLE)

A570HD95-STD/HD



ALL DIMS ARE TO CENTERLINE OF HOLES
[XX.XXX] DENOTES LOCATOR HOLE