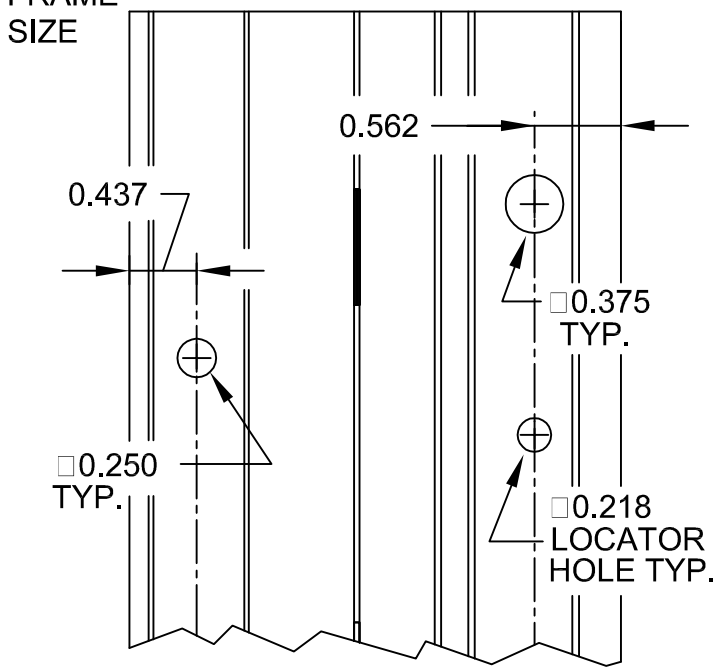
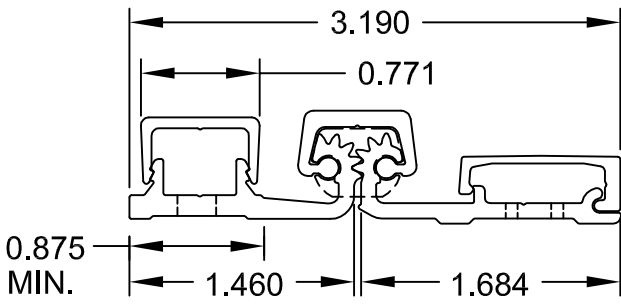
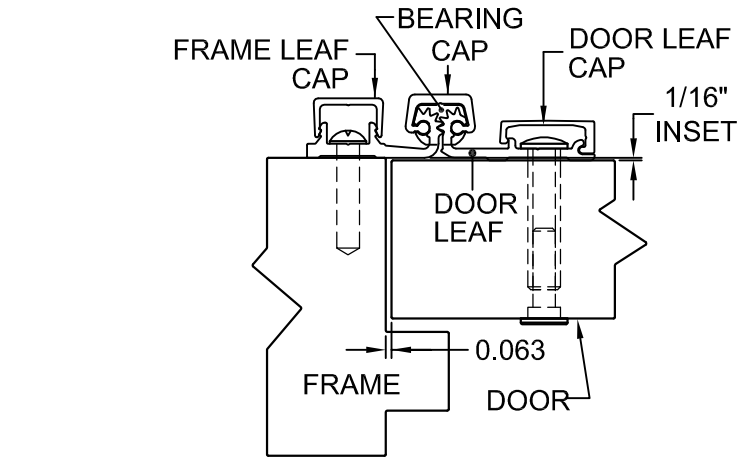
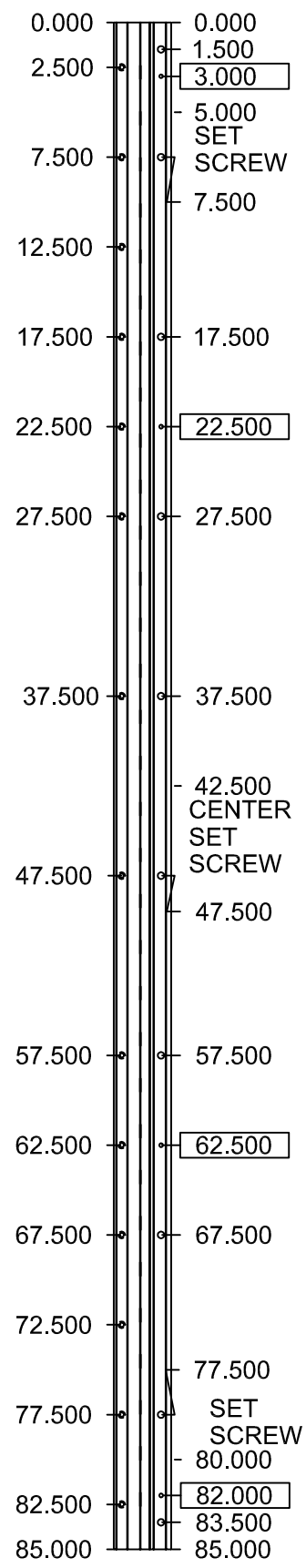


85" LONG

A570HD85-STD/HD



SCREW DETAIL		
	QTY.	DESCRIPTION
FRAME	14	12-24 X 7/8" PH. PAN HEAD SELF DRILLING THREAD FORMING TEK SCREW
DOOR	10	1/4-20 X 1-9/16L. X 3/8 DIA. SEX-BOLT & 1/4-20 X 1" PH. HEAD SHOULDER SCREW
	4	12-24 X 7/8" PH.PN. HD. SELF DRILLING TEK SCW. (LOCATOR HOLE)



ALL DIMS ARE TO CENTERLINE OF HOLES
 [XX.XXX] DENOTES LOCATOR HOLE

A570HD85

REVISED 02-01-11