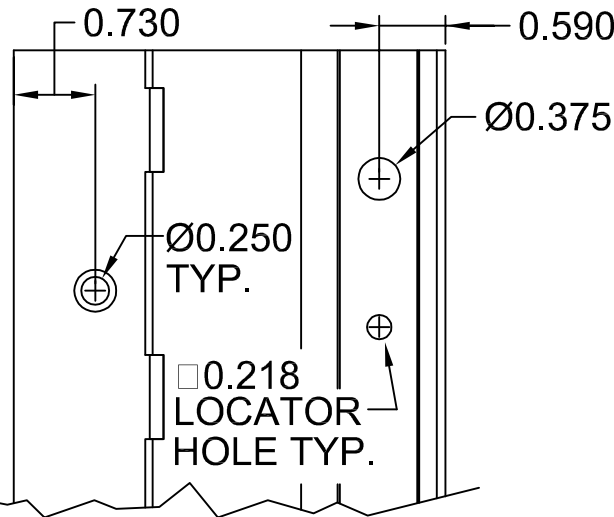
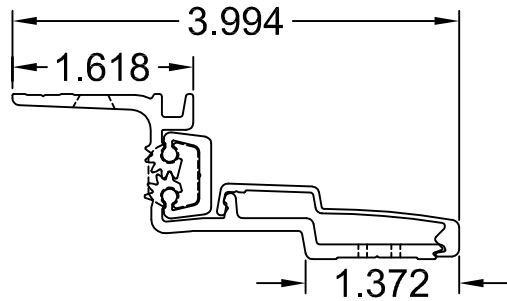
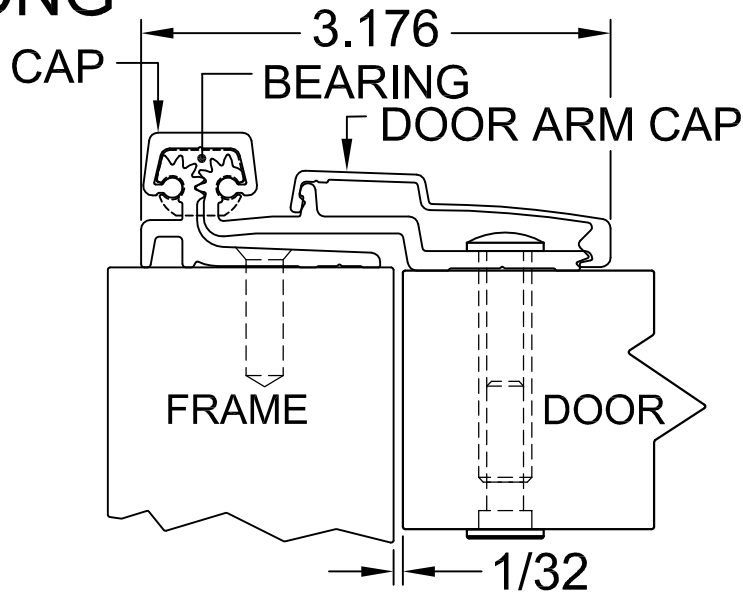


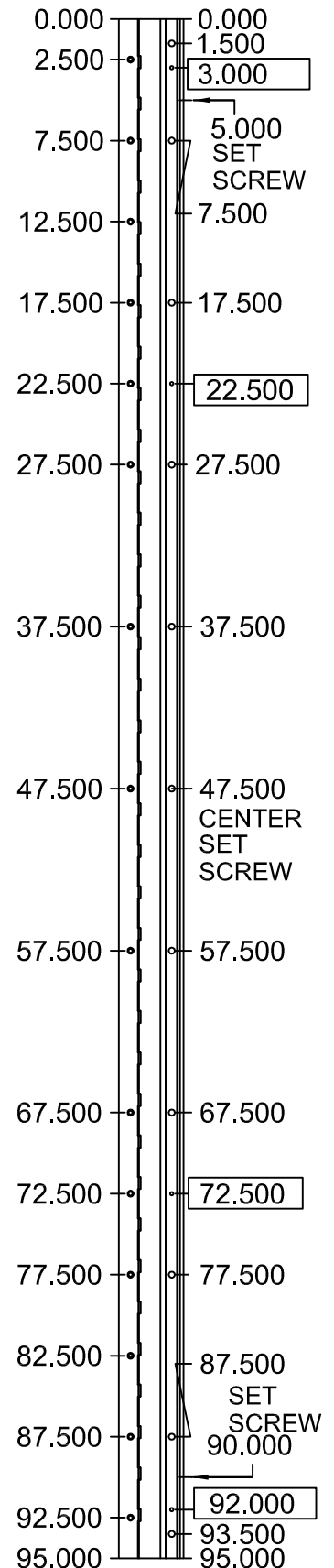
# A210HD 95" LONG



LEFT HANDED DETAIL SHOWN

SCREW DETAIL		
	QTY.	DESCRIPTION
FRAME	15	12-24 X 7/8" PH. F.H. UNDERCUT SELF DRILLING THREAD FORMING TEK SCREW
DOOR	11	1/4-20 X 1-9/16L. X 3/8 DIA. SEX-BOLT & 1/4-20 X 1" PH. HEAD SHOULDER SCREW
	4	12-24 X 7/8" PH.PN. HD. SELF DRILLING TEK SCW. (LOCATOR HOLE)

## A210HD95-STD/HD



ALL DIMS ARE TO CENTERLINE OF HOLES  
 [XX.XXX] DENOTES LOCATOR HOLE

A210HD-95-03.DWG

# A210HD95

REVISED 02-01-11